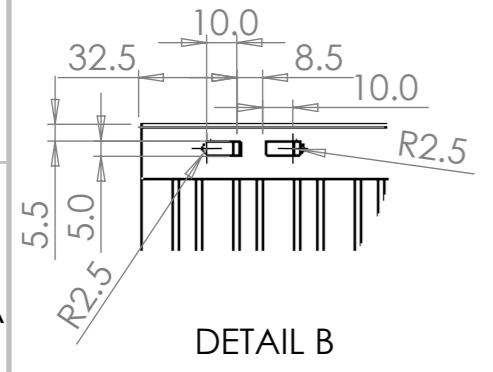


Partial view on lower return detail



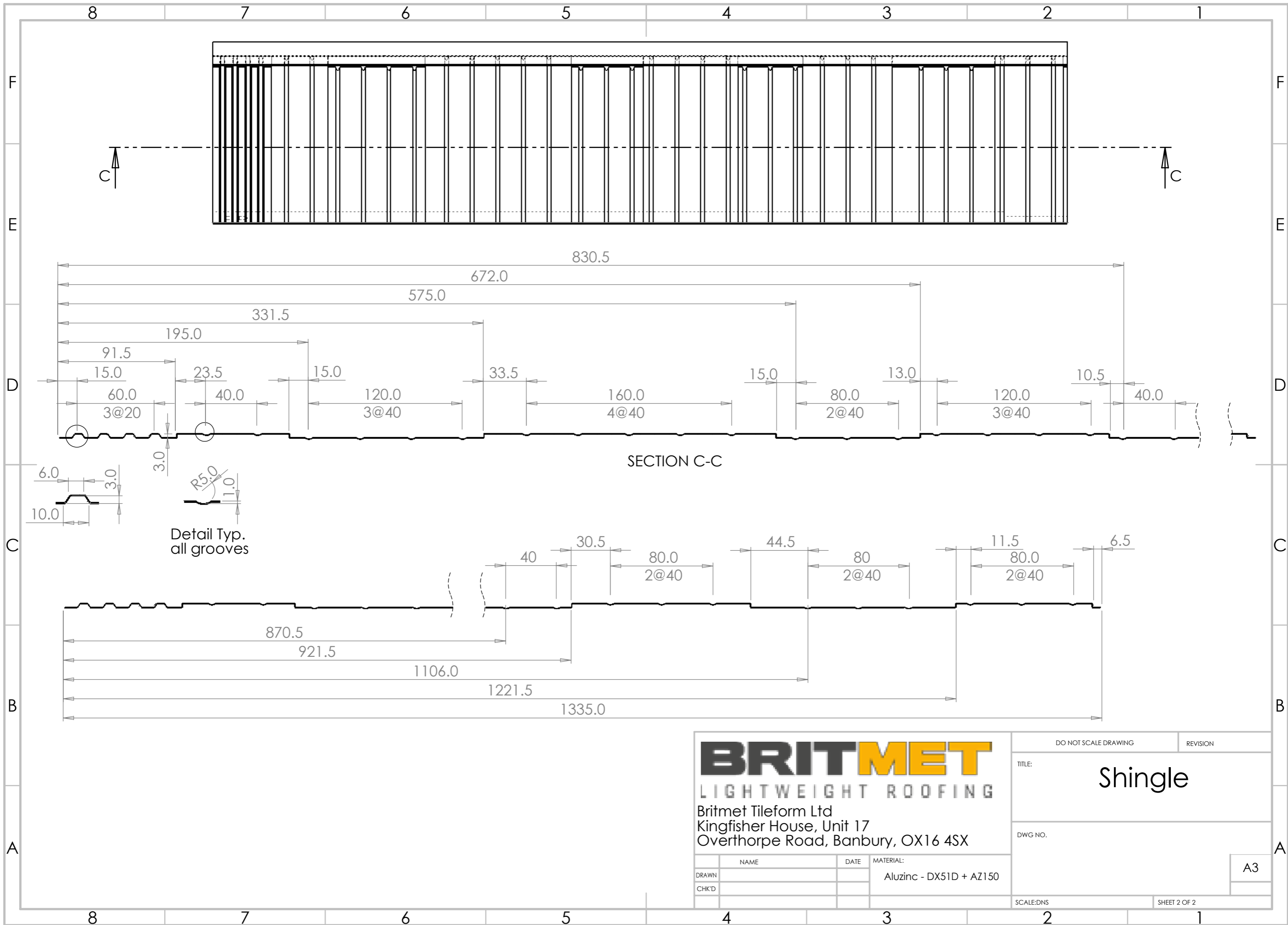
BRITMET
 LIGHTWEIGHT ROOFING

Britmet Tileform Ltd
 Kingfisher House, Unit 17
 Overthorpe Road, Banbury, OX16 4SX

	NAME	DATE	MATERIAL:
DRAWN			Aluzinc - DX51D + AZ150
CHK'D			

DO NOT SCALE DRAWING	REVISION
TITLE:	Shingle
DWG NO.	
SCALE:DNS	SHEET 1 OF 2

A3



SECTION C-C

Detail Typ.
all grooves

BRITMET
 LIGHTWEIGHT ROOFING
 Britmet Tileform Ltd
 Kingfisher House, Unit 17
 Overthorpe Road, Banbury, OX16 4SX

DO NOT SCALE DRAWING		REVISION
TITLE:		Shingle
DWG NO.		
SCALE:DNS		SHEET 2 OF 2

	NAME	DATE	MATERIAL:
DRAWN			Aluzinc - DX51D + AZ150
CHK'D			

A3